

# GRAVITY PROBE B PROCEDURE FOR SCIENCE MISSION DEWAR

## DISCONNECT ELECTRICAL GSE FROM PAYLOAD

To be performed at Vandenberg Air Force Base building 1610/EEB/MST

**THIS DOCUMENT CONTAINS NON HAZARDOUS OPERATIONS**

**P1010**

November 12, 2002

Written by:

\_\_\_\_\_ Date \_\_\_\_\_

Ned Calder  
Cryogenic Test

Approvals:

\_\_\_\_\_ Date \_\_\_\_\_

Dorrene Ross  
Quality Assurance

\_\_\_\_\_ Date \_\_\_\_\_

Harv Moskowitz  
LMMS Safety

\_\_\_\_\_ Date \_\_\_\_\_

Rob Brumley  
Program Technical Manager

\_\_\_\_\_ Date \_\_\_\_\_

Mike Taber  
Test Director

\_\_\_\_\_ Date \_\_\_\_\_

NASA/KSC Safety

**REVISION RECORD**

REVISION	ECO	PAGES	DATE

**Table of Contents**

A. SCOPE.....	2
B. SAFETY .....	2
B.1. Potential Hazards .....	2
B.2. Mitigation of Hazards .....	2
B.3. Mishap Notification .....	3
C. QUALITY ASSURANCE .....	3
C.1. QA Notification.....	3
C.2. Red-line Authority .....	3
C.3. Discrepancies .....	3
D. TEST PERSONNEL .....	4
D.1. Personnel Responsibilities.....	4
D.2. Personnel Qualifications .....	4
D.3. Required Personnel .....	4
E. REQUIREMENTS.....	4
E.1. Electrostatic Discharge Requirements .....	4
E.2. Lifting Operation Requirements .....	4
E.3. Hardware/Software Requirements.....	4
E.4. Instrument Pretest Requirements .....	5
E.5. Configuration Requirements .....	6
E.6. Optional Non-flight Configurations.....	8
F. REFERENCE DOCUMENTS.....	8
F.1. Drawings.....	8
F.2. Supporting documentation.....	8
F.3. Additional Procedures.....	8
G. OPERATIONS.....	1
G.1. Pre-Operations Verifications .....	1
G.2. Prepare Gas Module for Disconnect.....	1
G.3. Condition Gas Module .....	2
G.4. Reference Data Set .....	2
G.5. Shut Down DAS, EM and GM and Disconnect Cabling .....	2
G.6. Disconnect All GSE Cables .....	3
G.7. Establish Final Configuration .....	3
H. PROCEDURE COMPLETION .....	3
I. APPENDIX 1 PRE OPERATIONS CHECKLIST .....	7
J. APPENDIX 2 POST OPERATIONS CHECKLIST .....	9
K. APPENDIX 3– CONTINGENCY/EMERGENCY RESPONSES .....	10

**List of Abbreviations and Acronyms**

AG-x	Gauge x of Gas Module auxiliary section	MT	Main Tank
AMI	American Magnetics Inc.	MTVC	Main Tank Vent Cap
AP-1	Vane Pump in Gas module	MTVC-G	Main Tank Vent Cap pressure gauge
APR-x	Pressure regulator x of Gas Module	MTVC-RV	Main Tank Vent Cap relief valve
AV-x	Valve x of Gas Module auxiliary section	MTVC-V	Main Tank Vent Cap valve
CG-x	Gauge x of portable helium pressurization source	NBP	Normal boiling point
CPR-x	Pressure regulator x of portable helium pressurization source	ONR	Office of Naval Research
CV-x	Valve x of portable helium pressurization source	PFCG	Fill Cap assembly pressure Gauge
CN [xx]	Data acquisition channel number	PFM	Pump equipment Flow Meter
DAS	Data Acquisition System	PG-x	Gauge x of Pump equipment
EFM-x	Exhaust gas Flow Meters	PM	Pump Module
EG-x	Gauge x of Gas Module exhaust section	psi	pounds per square inch
EH-x	Vent line heat exchanger in GM	psig	pounds per square inch gauge
EM	Electrical Module	PTD	Payload Test Director
ERV-x	Relief valve of Gas Module exhaust section	PV-x	Valve x of the Pump equipment
EV-x	Valve number x of Gas Module exhaust section	QA	Quality Assurance
FCV	Fill Cap Valve	RAV-x	Remote Actuated Valve-x
FIST	Full Integrated System Test	RGA	Residual Gas Analyzer
GHe	Gaseous Helium	RGA-LV	RGA leak valve (needle valve)
GM	Gas Module	RGA-SOV	RGA shut off valve
GP-B	Gravity Probe-B	SMD	Science Mission Dewar
GSE	Ground Support Equipment	STV	SMD Thruster vent Valve
GT	Guard Tank	SU	Stanford University
GTVC	Guard Tank Vent Cap	SV-x	SMD Valve number x
GTVC-G	Guard Tank Vent Cap pressure gauge	TG-x	Gauge x of Utility Turbo System
GTVC-RV	Guard Tank Vent Cap relief valve	TV-x	Valve x of Utility Turbo System
GTV-G	Guard Tank vent pressure gauge	UTS	Utility Turbo System
GTV-RV	Guard Tank vent relief valve	Vac	Vacuum
GTV-V	Guard Tank vent valve	VCP-x	Vent cap pressure gauge
GTV-Va	Guard Tank Vent line valve for independent pressure regulation	VCRV-x	Vent cap relief valve
HEX-x	SMD heat exchanger x	VCV-x	Vent cap valve
KFxx	Quick connect o-ring vacuum flange (xx mm diameter)	VDC	Volts Direct Current
LHe	Liquid Helium	VF-x	Liquid helium Fill line valve
LHSD	Liquid Helium Supply Dewar	VG-x	Gauge x of Vacuum Module
LHV-x	Liquid Helium Supply Dewar valves	VM	Vacuum Module
LLS	Liquid level sensor	VV-x	Valve x of Vacuum Module
LM	Lockheed Martin Co.	VW-x	Valve x of Dewar Adapter

**LIST OF SPECIFIC HEADING DEFINITIONS**

Each type of alert message will precede the procedural step to which it applies

1. NOTE: Used to indicate an operating procedure of such importance that it must be emphasized
2. CAUTION: Used to identify hazards to equipment
3. WARNING: Used to identify hazards to personnel

**A. SCOPE**

This procedure describes the steps required to disconnect the cryogenic monitoring GSE from the payload. This procedure provides the option of being performed in building 1610, or the EEB and MST.

**B. SAFETY****B.1. Potential Hazards**

Personal injury and hardware damage can result during normal positioning, assembly and disassembly of hardware.

Liquid helium used in the SMD represents a hazardous material for the personnel involved in the operations. Cryogenic burns can be caused by contact with the cold liquid or gas, high pressures can result if boiling liquid or cold gas is confined without a vent path, and asphyxiation can result if the vent gas is allowed to accumulate.

The SMD Safety Compliance Assessment, document GPB-100153C discusses the safety design, operating requirements and the hazard analysis of the SMD.

**B.2. Mitigation of Hazards****B.2.1. Lifting hazards**

There are no lifting operations in this procedure

**B.2.2. Cryogenic Hazards**

In VAFB building 1610 and the MST, the GP-B cryogenic team provides an oxygen deficiency monitor that alarms when the oxygen level is reduced to 19.5%. Additional temperature and pressure alarms, provided by the DAS, warn of potential over-pressure conditions. Emergency vent lines are installed over the four burst disks to direct any flow to an outside area.

Only authorized and trained personnel are allowed in VAFB facilities without escort. All personnel working on platforms at a height 30 inches or more off the floor are required to have an approved air tank (emergency breathing apparatus) within easy reach. Note that tank need not be kept available when working from ladder. In the unlikely event of a large LHe spill all employees have been instructed to evacuate the building and contact NASA Safety.

The following additional requirements apply to all personnel involved directly in cryogenic operations. Gloves that are impervious to liquid helium and liquid nitrogen are to be worn whenever the possibility of splashing or impingement of high-velocity cryogenics exists or when handling equipment that has been cooled to cryogenic temperatures. Protective clothing, non-absorbent shoes, goggles/glasses and full-face shields are to be worn whenever the possibility of splashing cryogenics exists.

**B.2.3. Other Hazards**

All tools or other items used with the potential to damage the space vehicle shall be tethered.

### B.3. Mishap Notification

#### B.3.1. Injury

In case of any injury or illness requiring emergency medical treatment **DIAL 911.**

#### B.3.2. Hardware Mishap

In case of an accident, incident, or mishap, notification is to proceed per the procedures outlined in Lockheed Martin Engineering Memorandum EM SYS229 and **Stanford University GP-B P0879. Additionally, VAFB NASA Safety and 30<sup>th</sup> Space Wing Safety will be notified as required..**

#### B.3.3. Contingency Response

Responses to contingencies/emergency (e.g., power failure) are listed in Appendix 3.

## C. QUALITY ASSURANCE

### C.1. QA Notification

***The NASA program and the NASA safety representative and SU QA shall be notified 24 hours prior to the start of this procedure.*** Upon completion of this procedure, the QE Manager will certify his/her concurrence that the effort was performed and accomplished in accordance with the prescribed instructions by signing and dating in the designated place(s) in this document.

### C.2. Red-line Authority

Authority to red-line (make minor changes during execution) this procedure is given solely to the TD or his designate and shall be approved by the QA Representative. Additionally, approval by the Payload Technical Manager shall be required, if in the judgement of the TD or QA Representative, experiment functionality may be affected. Within hazardous portions of this procedure, all steps shall be worked in sequence. Out-of-sequence work or redlines shall be approved by NASA Safety prior to their performance.

### C.3. Discrepancies

A Quality Assurance Representative designated by D. Ross shall review any discrepancy noted during this procedure, and approve its disposition. Discrepancies will be recorded in a D-log or a DR per Quality Plan P0108. Any time a procedure calls for verification of a specific configuration and that configuration is not the current configuration, it represents a discrepancy of one of three types. These types are to be dealt with as described below.

1. If the discrepancy has minimal effect on procedure functionality (such as the state of a valve that is irrelevant to performance of the procedure) it shall be

documented in the procedure, together with the resolution. Redlines to procedures are included in this category.

2. If the discrepancy is minor and affects procedure functionality but not flight hardware fit or function, it shall be recorded in the D-log. Resolution shall be in consultation with the PTD and approved by the QA representative.
3. All critical and major discrepancies, those that effect flight hardware fit or functions, shall be documented in a D-log and also in a Discrepancy Report, per P0108.

## D. TEST PERSONNEL

### D.1. Personnel Responsibilities

The performance of this procedure requires a minimum complement of personnel as determined by the Test Director. The person performing the operations (Test Director or Test Engineer) is to sign the "Completed by" sign-off. Any other qualified person or QA person who can attest to the successful performance of this procedure may sign the "Witnessed by" sign-off. The Test Director will perform Pre-Test and Post-Test Briefings in accordance with P0875 "GP-B Maintenance and Testing at all Facilities." Checklists will be used as directed by P0875

### D.2. Personnel Qualifications

The Test Director must have a detailed understanding of all procedures and facility operations and experience in all of the SMD operations. Test Engineers must have SMD Cryogenic operations experience and an understanding of the operations and procedures used for the cryogenic servicing/maintenance of the Dewar.

### D.3. Required Personnel

The following personnel are essential to the accomplishment of this procedure:

FUNCTIONAL TITLE	NUMBER	AFFILIATION
Test Director/Test Engineer	1	Stanford
GP-B Quality Assurance	1	Stanford

## E. REQUIREMENTS

### E.1. Electrostatic Discharge Requirements

When working on the space vehicle, an ESD wrist strap is required. The wrist strap continuity shall be verified prior to use with a calibrated checker.

### E.2. Lifting Operation Requirements

There are no lifting operations in this procedure

### E.3. Hardware/Software Requirements



## E.3.1. Commercial Test Equipment

No commercial test equipment is required for this operation.

## E.3.2. Ground Support Equipment

The Ground Support Equipment includes the Gas Module, the Electrical Module. The Gas Module provides the capability to configure vent paths, read pressures and flow rates, and pump and backfill vent lines. The Pump Module provides greater pumping capacity than the Gas Module, together with additional flow metering capabilities. The vent output of the Gas Module flows through the Pump Module. The Electrical Module contains the instruments listed in Table 1, and provides remote control of valves in the Gas Module, Pump Module, and SMD.

## E.3.3. Computers and Software:

The Data Acquisition System (DAS) is required for this procedure. The DAS reads and displays pressures, temperatures, and flow rates and monitors critical parameters. No additional computers or software are required.

## E.3.4. Additional Test Equipment

1. No additional test equipment is required

## E.3.5. Additional Hardware

1. No additional hardware is required

## E.3.6. Tools

<i>Description</i>
ESD wrist strap

## E.3.7. Expendables

<i>Description</i>	<i>Quantity</i>	<i>Mfr./Part No.</i>
N/A	NA	N/A

## E.4. Instrument Pretest Requirements

The GSE instruments required to perform this procedure are listed in Table 1, together with their serial numbers, where available. Instruments that are required to have current calibrations are indicated in the Cal-Required column. Instruments that do not require calibration are those not used to verify performance requirements and are not connected to flight instrumentation. The status column is to be filled in with the due date of the instrument calibration sticker and verified to be in calibration by QE or QE designee.

**Table 1. Required Instrumentation and Calibration Status**

<i>No.</i>	<i>Location</i>	<i>Description</i>	<i>Name</i>	<i>Serial No.</i>	<i>Cal Required</i>	<i>Status Cal due date</i>
1	DAS	Power Supply, H-P 6627A	-	3452A01975	Yes	
2	DAS	Power Supply, H-P 6627A	-	3452A01956	Yes	

<b>No.</b>	<b>Location</b>	<b>Description</b>	<b>Name</b>	<b>Serial No.</b>	<b>Cal Required</b>	<b>Status Cal due date</b>
3	DAS	Data Acquisition/Control Unit H-P 3497A	-	2936A245539	No	-
4	DAS	Digital Multimeter H-P 3458A	-	2823A15047	Yes	
5	EM	Vacuum Gauge Controller Granville-Phillips Model 316	EG-1a, -1b	2827	No	-
6	EM	Vacuum Gauge Controller Granville-Phillips Model 316	AG-2a, -2b	2826	No	-
7	EM	Vacuum Gauge Controller Granville-Phillips Model 316	EG-3	2828	No	-
8	EM	MKS PDR-C-2C	EG-2, FCG	92022108A	No	-
9	EM	Flow meter – Matheson 8170	EFM-1	96186	No	-
10	EM	Flow meter totalizer Matheson 8124	EFM-1	96174	No	-
11	EM	Liquid Helium Level Controller American Magnetics, Inc. 136	LLS Main Tank	96-409-11	No	-
12	EM	Liquid Helium Level Controller American Magnetics, Inc. 136	LLS Guard Tank	96-409-10	No	-
13	EM	Liquid Helium Level Controller American Magnetics, Inc. 136	LLS Well	96-409-9	No	-
14	EM	Liquid Helium Level Controller American Magnetics, Inc. 136	LLS Axial Lock	96-409-12	No	-
15	EM	Pressure Controller – MKS 152F-92	EV-7a, -7b	96203410A	No	-
16	EM	Power Supply HP 6038A	H08D Tank Heater	96023407A	Yes	
17	EM	Power Supply HP 6038A	H09D Tank Heater	3511A-13332	Yes	
18	EM	Power Supply HP 6038A	RAV Power Supply	3329A-12486	Yes	
19	EM	Vac Ion Pump power supply Varian 929-0910, Minivac	SIP	5004N	No	-
20	EM	Flow meter totalizer Veeder-Root	PFM-1	576013-716	No	-
21	GM	Pressure Gauge, Heise	AG-1	CC-122077	No	-
22	GM	Pressure Gauge, Marshall Town	AG-3	N/A	No	-
23	GM	Main Tank Heat Exchanger: a) Thermocouple, b) Current meter, c) Temperature set point controller	-	C-19950	No	-
24	GM	Guard Tank Heat Exchanger: a) Thermocouple, b) Current meter, c) Temperature set point controller	-	C-09920	No	-
25	VM	Vacuum Gauge readout, Granville-Phillips 316	VG-3 VG-4	2878	No	-
26	VM	Vacuum Gauge readout, Granville-Phillips 360	VG-1, VG-2 VG-5	96021521	No	-

## E.5. Configuration Requirements

### E.5.1. Main Tank

Liquid in the Main Tank must be at its normal boiling point (NBP) or Subatmospheric

E.5.2. Guard Tank

The Guard Tank may contain liquid or be depleted.

E.5.3. Well

The Well must be evacuated.

E.5.4. SMD Vacuum Shell

The Vacuum Shell pressure must be less than  $5 \times 10^{-5}$  torr. Document No. P1015, *Connect Vacuum Module to SMD*, contains the procedure for connecting to and pumping on the SMD vacuum shell.

## E.5.5. Alarm System

1. The DAS alarm system must be enabled and contain the following alarm set-points:
  - a. Top of lead bag temperature set (CN 175 and CN178) at  $T \leq 6.0$  K.
  - b. Relative Guard Tank Pressure (CN 46) set at  $P \geq 10$  torr.

## E.5.6. GSE and Non-flight Hardware

1. N/A

E.6. **Optional Non-flight Configurations**

The following modifications or non-flight arrangement of the basic SMD configuration may also be in place. They are incidental to the performance of this procedure and not required.

1. The SMV may be installed in its transportation and test fixture.
2. The Vacuum shell pump out port at SV-14 may be connected to the Vacuum Module (P/N 5833816) via a 2-in valve and pumping line, with the valve in either the closed position or in the open position. The Vacuum Module pump may be; off, actively pumping the pumping line up to a closed SV-6, or actively pumping the vacuum shell.

F. **REFERENCE DOCUMENTS**F.1. **Drawings**

<i>Drawing No.</i>	<i>Title</i>
LMMS-5833394	Instrumentation Installation

F.2. **Supporting documentation**

<i>Document No.</i>	<i>Title</i>
LMMC-5835031	GP-B Magnetic Control Plan
GPB-100153C	SMD Safety Compliance Assessment
LM/P479945	Missile Systems Prelaunch Safety Package
SU/GP-B P0141	FIST Emergency Procedures
LMSC-P088357	Science Mission Dewar Critical Design Review
SU/GP-B P0108	Quality Plan
LMMS GPB-100333	Science Mission Dewar Failure Effects and Causes Analysis
SU/GP-B P059	GP-B Contamination Control Plan
EM SYS229	Accident/Mishap/Incident Notification Process
EWR 127-1	Eastern and Western Range Safety Requirements
KHB 1710.2 rev E	Kennedy Space Center Safety Practices Handbook

F.3. **Additional Procedures**

<i>Document No.</i>	<i>Title</i>
SU/GP-B P0879	<i>Accident/Incident/Mishap Notification Process</i>
SU/GP-B P1015	<i>Connect Vacuum Module to SMD</i>
SU/GP-B P0875	<i>GP-B Maintenance and Testing at all Facilities</i>

Operation Number: \_\_\_\_\_

Date Initiated: \_\_\_\_\_

Time Initiated: \_\_\_\_\_

**G. OPERATIONS****G.1. Pre-Operations Verifications**

- o Verify SU QA notified.  
Record: Individual notified \_\_\_\_\_,  
Date/time \_\_\_\_/\_\_\_\_.
- o Verify NASA program representative notified.  
Record: Individual notified \_\_\_\_\_,
- o Record calibration due dates in Table 1 (Sections. E.3.4, E.4)
- o Persons actually performing this procedure should list their names in Sec D.3.
- o Verify completion of the pre-operations checklist (Appendix 1).
- o Verify proper operation of GP-B Cryogenic Team oxygen monitor
- o Verify availability and functioning of emergency shower

Section Complete QA Witness: \_\_\_\_\_

**G.2. Prepare Gas Module**

- G.2.1. Verify DAS operating and collecting data
- G.2.2. Input comment to DAS, "Prepare to Disconnect GSE from Payload
- G.2.3. Ensure all Gas Module valves closed except EV-7a/b
- G.2.4. Verify Main Tank and Guard Tank vent lines disconnected and heat exchanger inputs are plugged
- G.2.5. Verify blank-offs installed at the following locations
  - 1. EV-21/22
  - 2. Access Port 1
  - 3. Access Port 2
  - 4. Access Port 3
  - 5. Vent Out Port
  - 6. Well Vent
  - 7. LHSD Port
  - 8. He Gas Out Port

G.2.6. Remove He supply gas line from He supply and stow

Section Complete QA Witness:\_\_\_\_\_

G.3. **Condition Gas Module**

G.3.1. Place interlock defeat switch into on position

G.3.2. Turn of AP-1

G.3.3. Open AV-1, -2, -3, -4, -6 -10

G.3.4. Open EV-4, -5, -6, -8, -9, -11, -13, -14, -15, -16, -17, -18,-19, -20 -21, -22,

G.3.5. Close AV-6

G.3.6. Turn off AP-1

G.3.7. Record EG-1b:\_\_\_\_\_torr

G.3.8. After one hour record EG-1b:\_\_\_\_\_torr

G.3.9. Verify pressure does not rise above 1 torr

G.3.10. Close/Verify closed all Gas Module Valves

G.3.11. Turn off circuit breakers to unit

Section Complete QA Witness:\_\_\_\_\_

G.4. **Reference Data Set**

G.4.1. Use [Get Data] to collect and print out a data set

G.4.2. Attach data printouts to this procedure

G.4.3. Comment on any inappropriate data output below:

\_\_\_\_\_  
\_\_\_\_\_  
\_\_\_\_\_  
\_\_\_\_\_

Section Complete QA Witness:\_\_\_\_\_

G.5. **Shut Down DAS, EM and GM and Disconnect Cabling**

G.5.1. Shut down DAS

1. Record Guard Tank liquid level:\_\_\_\_\_%

2. Place DAS in paused state

3. Command program to run using start up option 'o'

4. Shut down data program

a. Use function keys F8; F8, F7, F1, and F1 to reach the following request, "Input special data file name (no extsn);

Enter = use default"

- b. Use [enter]
  - c. Enter yes when asked if you want to exit the program
5. Shut down the computer
  6. Ensure powered off DVM, Scanner and Scanner Extender, power supplies A and B, and Guard Tank Liquid level sensor
- G.5.2. Shut down EM
1. Ensure Main Tank and RAV power supplies powered off
  2. Record Main Tank liquid level:\_\_\_\_\_

Note:

In the following step, units without power switch will lose power when the power to the Electrical Module is turned off.

3. Turn off, if possible, all readout and controllers in the EM
4. Turn off GE Fanuc power supply

Section Complete QA Witness:\_\_\_\_\_

**CAUTION:**

In the following steps, when disconnecting cables from the SMD, ensure the engineer is wearing a certified ESD wrist strap. Failure to comply may result in equipment damage.

**G.6. Disconnect All GSE Cables**

- G.6.1. Disconnect all cables from the SMD at appropriate locations
  1. Install dust covers as necessary
- G.6.2. Disconnect Guard Tank and Main endevco cables
- G.6.3. Disconnect and stow interconnect cables between the Electrical Module, the Gas Module, Pump Module and the DAS
- G.6.4. Disconnect and stow any other miscellaneous cables that may be connected to flow meter, pressure switches, UTS, Vacuum Module, etc.

Section Complete QA Witness:\_\_\_\_\_

**G.7. Establish Final Configuration**

- G.7.1. Record method of monitoring dewar:\_\_\_\_\_
- G.7.2.** Verify performance of post-operations checklist (Appendix 2)

Section Complete QA Witness:\_\_\_\_\_

**H. PROCEDURE COMPLETION**

**Completed by:** \_\_\_\_\_

**Witnessed by:** \_\_\_\_\_

**Date:** \_\_\_\_\_

**Time:** \_\_\_\_\_

**Quality Manager** \_\_\_\_\_ **Date** \_\_\_\_\_

**Payload Test Director** \_\_\_\_\_ **Date** \_\_\_\_\_



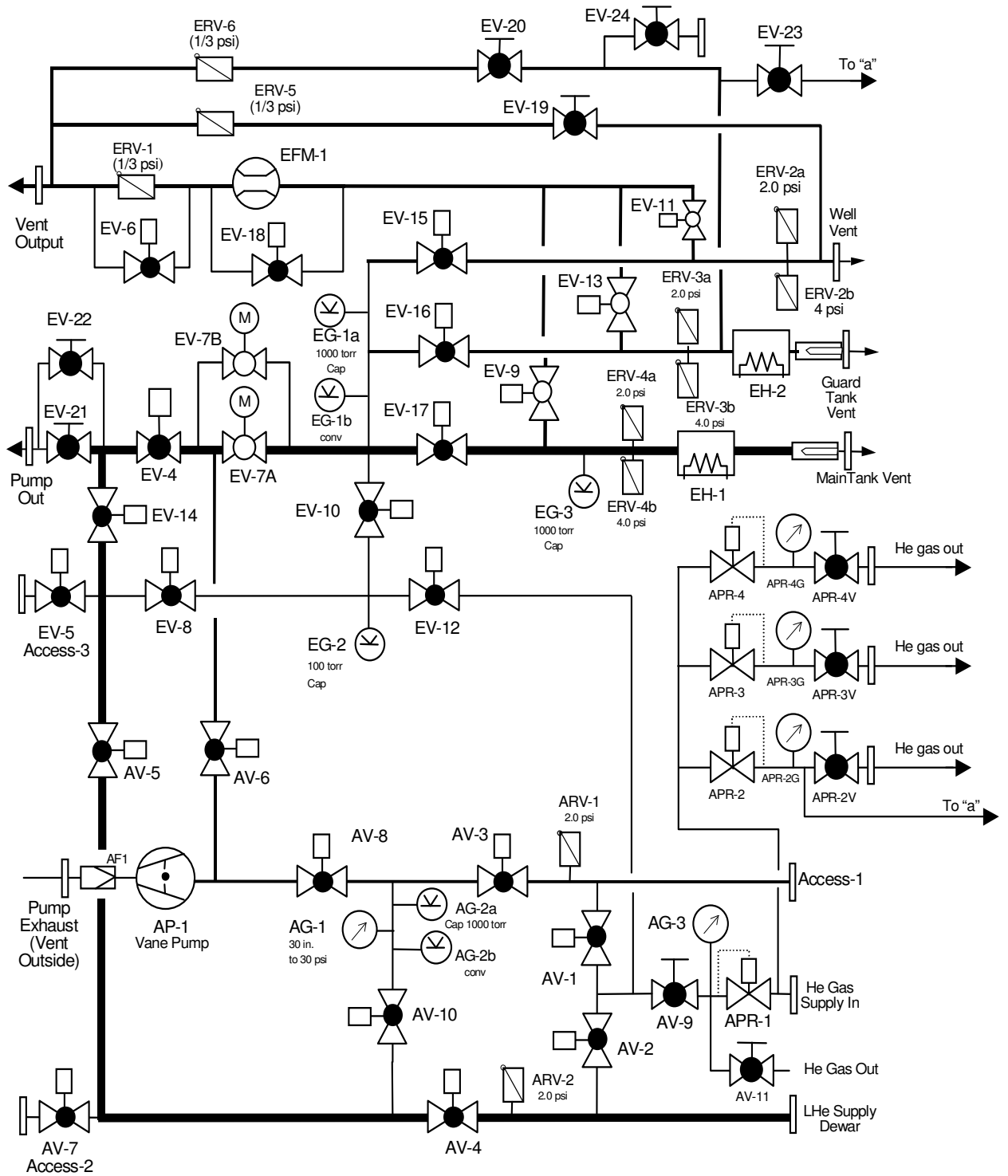
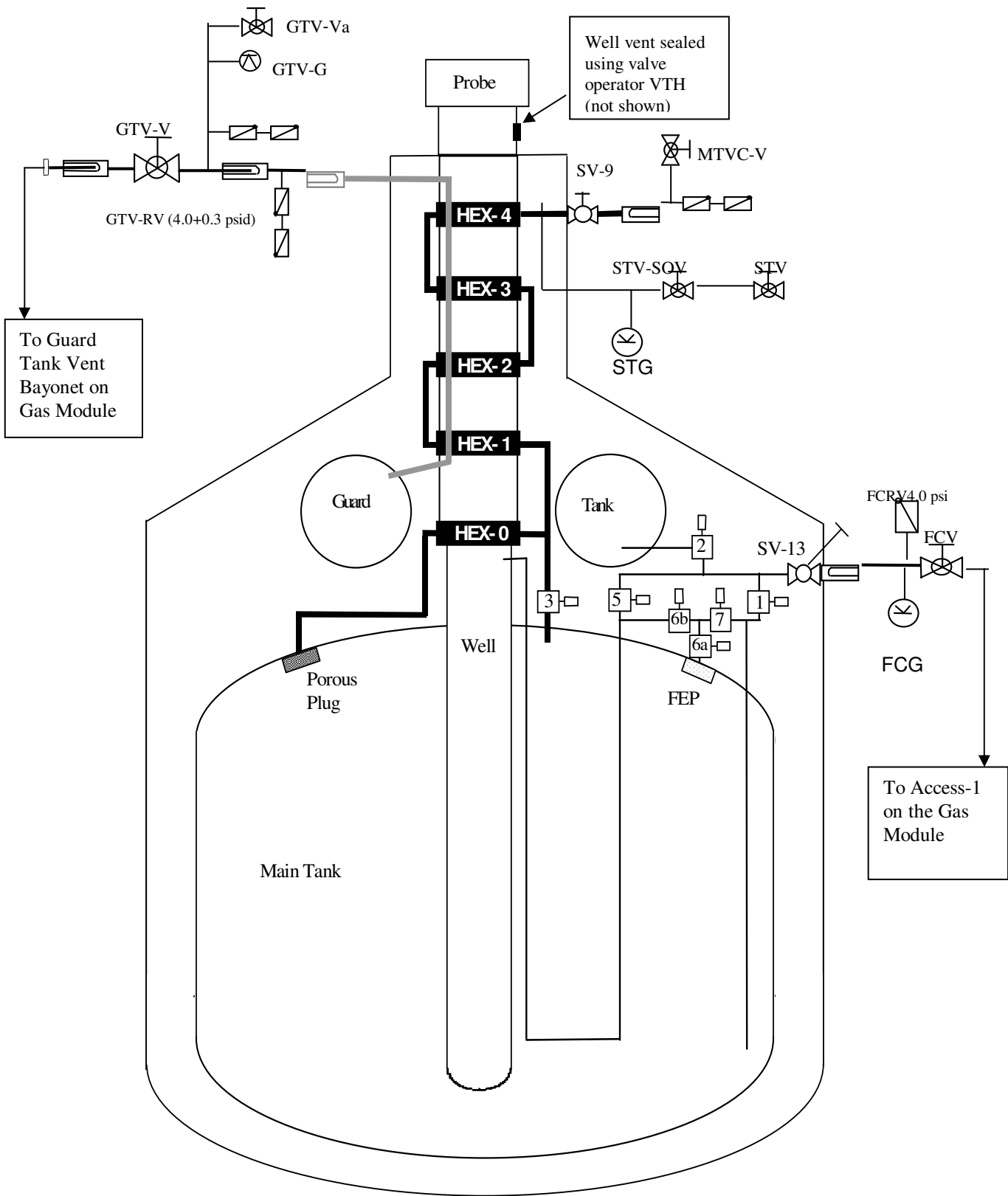


Figure 1. Gas Module



**Figure 4** Schematic representation of SMD showing interfaces with Gas module.

I. **APPENDIX 1 PRE OPERATIONS CHECKLIST**

DATE	CHECKLIST ITEM	COMPLETED	REMARKS
	1. Verify the test procedure being used is the latest revision.		
	2. Verify all critical items in the test are identified and discussed with the test team.		
	3. Verify all required materials and tools are available in the test area.		
	4. Verify all hazardous materials involved in the test are identified to the test team.		
	5. Verify all hazardous steps to be performed are identified to the test team.		
	6. Verify each team member is certified for the task being performed and knows their responsibilities.		
	7. Confirm that each test team member clearly understands that he/she has the authority to stop the test if an item in the procedure is not clear.		
	8. Confirm that each test team member clearly understands that he/she must stop the test if there is any anomaly or suspected anomaly.		
	9. Notify management of all discrepancy reports or d-log items identified during procedure performance. In the event an incident or major discrepancy occurs during procedure performance management will be notified immediately.		
	10. Verify/perform pre-task engineering safety highbay walk down. Verify noted discrepancies have been corrected.		
	11. Confirm that each test team member understands that there will be a post-test team meeting.		

	Team Lead Signature: _____		
--	-------------------------------	--	--

**J. APPENDIX 2 POST OPERATIONS CHECKLIST**

DATE	CHECKLIST ITEM	COMPLETED	REMARKS
	1. Verify all steps in the procedure were successfully completed.		
	2. Verify all anomalies discovered during testing are properly documented.		
	3. Ensure management has been notified of all major or minor discrepancies.		
	4. Ensure that all steps that were not required to be performed are properly identified.		
	5. If applicable sign-off test completion.		
	6. Verify all RAV valve operations have been entered in log book		
	7. Verify the as-run copy of procedure has been filed in the appropriate binder		
	Team Lead Signature: _____		

K. **APPENDIX 3– CONTINGENCY/EMERGENCY RESPONSES**

<b>Condition</b>	<b>Circumstance</b>	<b>Response</b>
Power Failure	Anytime	Wait for power restoration and resume procedure
Liquid nitrogen spill	Anytime	Clear area until all spilled liquid has evaporated
Temperature limits (CN 29 or 28) exceeded	Any time	Increase Main Tank venting
Burst disk rupture (MT/GT)	Any time	Evacuate room
Pressure in Main Tank exceeds limit	Anytime	Increase Main Tank venting to relieve pressure in Main Tank
Oxygen Monitor Alarm	Anytime	Evacuate building